

# 500 kVA

## Offloadable Units



### KEY FACTS

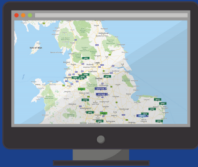
- 500 kVA three phase diesel generator
- Custom built offloadable unit, fully banded
- Light weight
- Perkins engine
- Stand-by application rating of 550 kVA
- Prime power rating of 500 kVA three phase
- 1,800 litre fuel tank
- DSE 7510 control panel
- **SmartWater** - Theft Deterrent



### Connect

The MEMS telemetry system Connect is our bespoke cloud solution that connects our fleet in the field to our 24-hour control room, ensuring maximum uptime and scalable performance.

In addition to providing our customers with an unparalleled 24-hour monitoring service, MEMS offer round-the-clock live diagnostic information to engineers and technicians in the field.



- Daily health check monitoring
- Not-in-Auto alarms for standby applications
- Internal and external fuel tank monitoring and theft detection
- Advanced SCADA Instrumentation

Connect comes as standard across the entire MEMS fleet.



Tracking and Telemetry

Remote Fuel Management

24 Hour Response Team

Disaster Recovery

### Weight

Wet Weight - 7,500Kgs

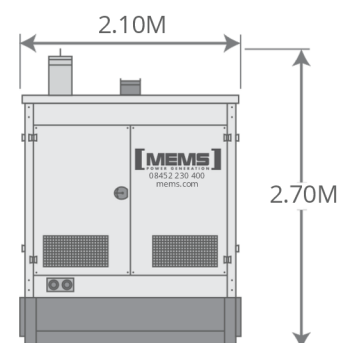
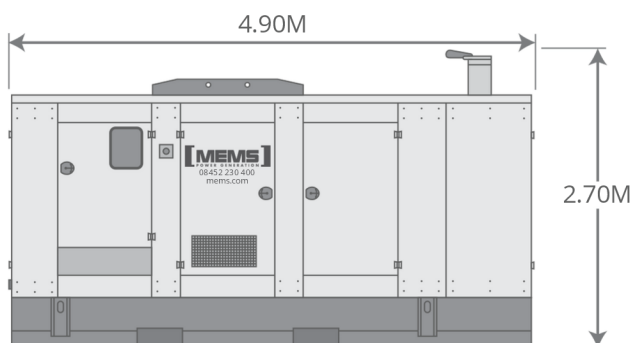
Dry Weight - 6,250Kgs

### Dimensions

Height - 2.70M

Width - 2.10M

Length - 4.90M



- Custom designed sound attenuated container
- 16A C-Form single phase auxiliary supply input
- 4 pole motorised circuit breaker
- 1,800 litre banded and baffled fuel tank
- Deepsea Electronics 7510 control panel
- Perkins 2500 series engine

- Output of 696A per phase
- 12mm termination up to 4 cables per phase
- Fuel consumption 76 litres per hour, based on 75% load
- Electronic Governing
- High speed automatic voltage regulation
- Noise level 77dba @ 1m, based on 75% load
- 450 Hours service intervals

# Introducing



## POWER UP SUSTAINABLY: MAKE THE GREENER CHOICE.

Hire Clean, Make an Impact: Go Green with Cleaner Options.

At MEMS, we believe that every business has a responsibility to reduce its carbon footprint and actively contribute to a cleaner, healthier planet. That's why we've invested heavily in new technologies and cleaner fuel alternatives through our Cleaner Options. Our team is dedicated to helping you reach your sustainability targets by providing tailored solutions that meet your specific needs and requirements.

### STAGE V

#### Low-emission Alternative

Upgrade to our Stage V compliant MEMS range of generators for reduced emissions and low-impact temporary power. Enjoy the same power output and performance with significantly reduced emissions compared to conventional generators. Our Stage V compliant range also offers advanced monitoring and control capabilities, ensuring maximum efficiency and optimal performance for your specific power requirements.

### HVO

#### A Greener Fuel

MEMS offers hydrotreated vegetable oil (HVO) as a cleaner alternative to traditional diesel fuel. HVO is made from 100% renewable raw materials collected from waste and residues and has the potential to reduce greenhouse gas emissions by up to 90%. The adoption of HVO fuel can make a significant difference in reducing emissions and is a step towards a more sustainable future.

### BATTERY HYBRID

#### Reduce Fuel Use & Emissions

Our advanced battery storage solutions offer a cutting-edge and cost-effective way for businesses to enhance efficiency and sustainability while lowering emissions and minimising noise pollution. Our adaptable battery fleet seamlessly integrates into existing generator systems, providing full control over energy consumption and working towards your sustainability goals.

### LOAD ON DEMAND

#### A Cleaner Solution to Deliver Scalable Power

With MEMS Load on Demand, you can have a reliable power supply that adjusts to your business's changing needs. This smart solution ensures that you only use the power you need, when you need it, reducing your emissions, fuel consumption and costs.

